



Dampers up to approx. 0.8 m²
Open/Close actuator (AC 230 V)
Control by single-pole contact

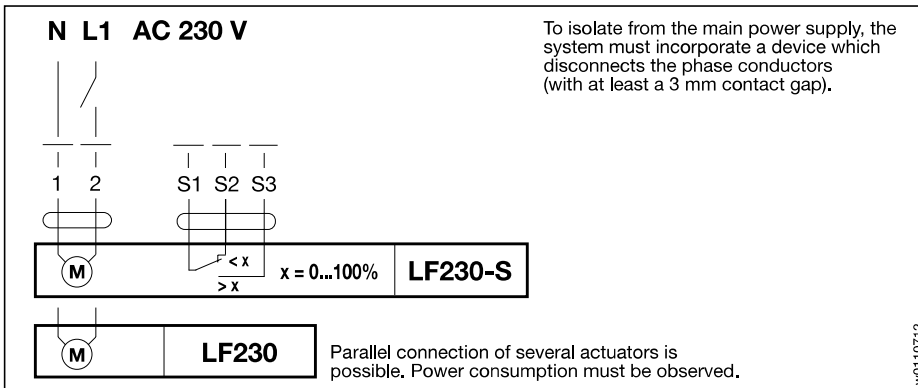
Application

For the operation of air dampers that perform safety functions (e.g. frost and smoke protection, hygiene, etc.).

Mode of operation

The LF... actuator moves the damper to its normal working position while tensioning the return spring at the same time. If the power supply is interrupted, the energy stored in the spring moves the damper back to its safe position.

Wiring diagram



Technical data	LF230, LF230-S
Nominal voltage	AC 230 V 50/60 Hz
Nominal voltage range	AC 198...264 V
For wire sizing	7 VA (I _{max} 150 mA @ 10 ms)
Power consumption	
– motoring	5 W
– holding	3 W
Connecting cable	– motor 1 m long, 2 x 0.75 mm ² – auxiliary switch (LF230-S) 1 m long, 3 x 0.75 mm ²
Auxiliary switch (LF230-S)	1 x SPDT 6 (1.5) A, AC 250 V <input type="checkbox"/>
– Switching point	adjustable 0...100% \triangleleft
Direction of rotation	selected by mounting L/R
Torque	– motor min. 4 Nm (at rated voltage) – spring return min. 4 Nm
Torque	max. 95° (adjustable 37...100% \triangleleft with built-in mechanical stop)
Running time	– motor 40...75 s (0...4 Nm) – spring return \approx 20 s @ -20...50°C / max. 60 s @ -30°C
Sound power level	motor max. 50 dB (A), spring \approx 62 dB (A)
Service life	min. 60 000 operations
Position indication	mechanical
Protection class	II (all insulated)
Degree of protection	IP 54
Ambient temp. range	-30...+50 °C
Non-operating temp.	-40...+80 °C
Humidity test	to EN 60335-1
EMC	CE according to 89/336/EEC, 92/31/EEC, 93/68/EEC
Low Voltage Directive	CE according to 73/23/EEC
Maintenance	maintenance-free
Weight	1550 g

Product features

Simple direct mounting on the damper spindle by universal spindle clamp. An anti-rotation device is supplied to prevent unwanted rotation of the whole unit.

Mechanical angle of rotation limiting adjustable with built-in stop.

High functional reliability

The actuator is overload proof, needs no limit switches and halts automatically at the end stop.

Flexible signalling 0...100% \triangleleft , with adjustable auxiliary switch (LF230-S only).

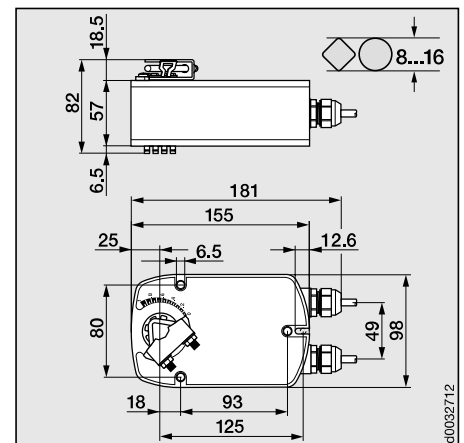
Adjusting the auxiliary switch LF230-S, page 6

Mounting accessories, page 11

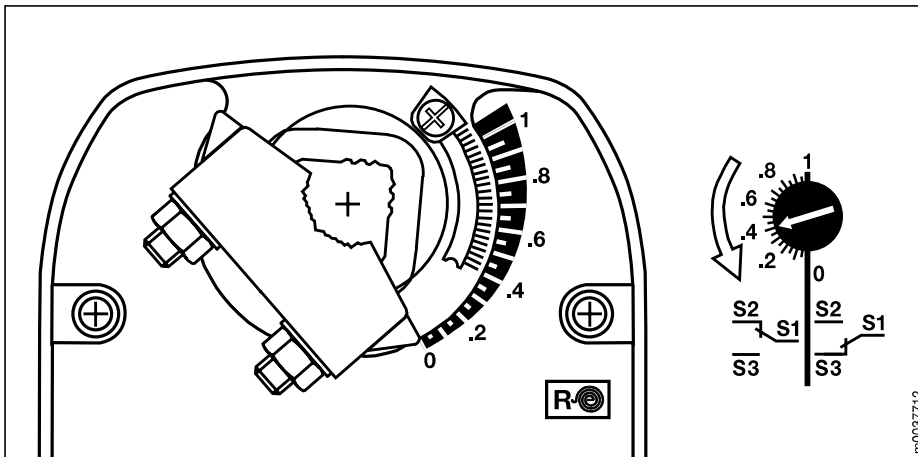
Mounting instructions, pages 13...15

Important: Read the notes about the use and torque requirements of the damper actuators on page 3.

Dimensions



Mounting side R

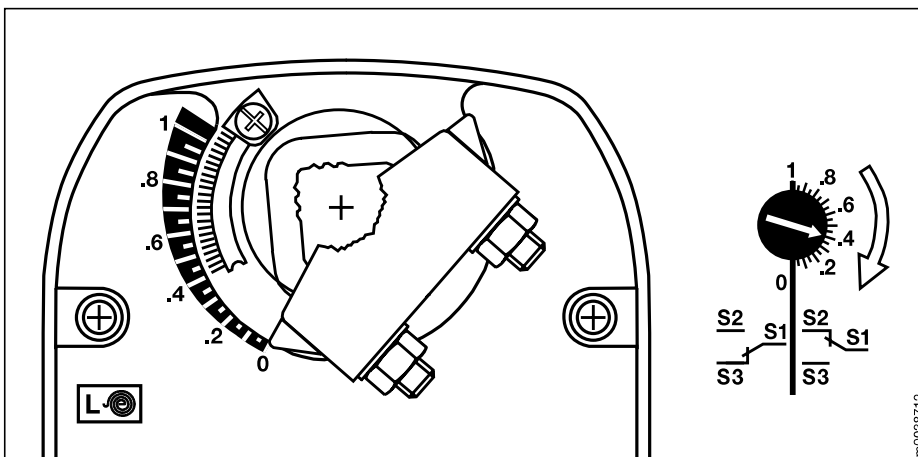


Starting point:
Actuator in safe position

Procedure

- Turn the knob of the auxiliary switch until the tip of the arrow is pointing to the required switching position (see left).
Example: Switching point setting = .4 corresponds to 40% angle of rotation.
- When the actuator runs to the operating position (ccw ↶), the switch knob will also rotate counter-clockwise (ccw ↶) and the auxiliary switch will operate as the tip of the arrow passes the scale zero (S1–S3 linked).

Mounting side L



Starting point:
Actuator in safe position

Procedure

- Turn the knob of the auxiliary switch until the tip of the arrow is pointing to the required switching position (see left).
Example: Switching point setting = .4 corresponds to 40% angle of rotation.
- When the actuator runs to the operating position (cw ↷), the switch knob will also rotate clockwise (cw ↷) and the auxiliary switch will operate as the tip of the arrow passes the scale zero (S1–S3 linked).